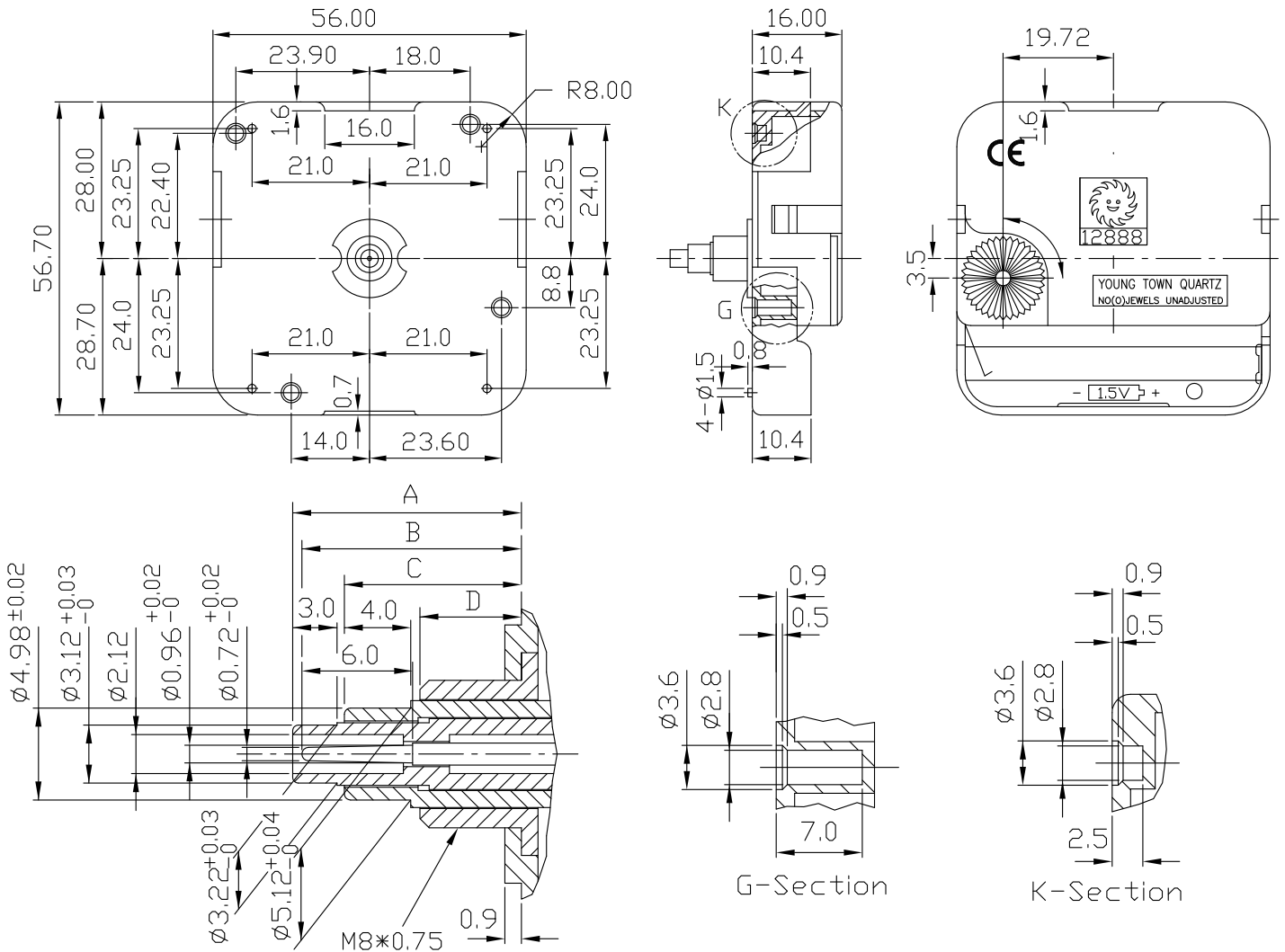


12888ST-1.2 SWEEP MOVEMENT



*UNIT:m/m

TYPE	SPEC	A	B	C	D	DESCRIPTION
12888ST-1.2		14.5	13.7	11.0	7.0	SECOND HAND MOTION: SWEEP
12888STA-1.2		8.6	7.8	5.6	—	WITHOUT THREAD SHAFT
12888STA1-1.2		11.0	10.2	7.5	—	WITHOUT THREAD SHAFT
12888STB-1.2		11.0	10.2	7.5	3.5	SHORTER THREAD SHAFT
12888STB2-1.2		12.4	11.9	9.6	5.5	SHORTER THREAD SHAFT
12888STC-1.2		23.5	22.7	20.0	16.0	LONGER THREAD SHAFT
12888STC1-1.2		17.0	16.2	13.5	9.5	LONGER THREAD SHAFT
12888STC5-1.2		20.0	19.1	16.5	12.0	LONGER THREAD SHAFT

SPECIFICATIONS

Operation Voltage	: 1.2V~1.7V
Time Keeping Accuracy	: ±20Sec/Month At 1.5V DC.25°C
Current Consumption	: Less Than 170 μ A At 1.5V DC.
Torque At Second Hand	: \leq 0.6gf-cm
Torque At Minute Hand	: \leq 36gf-cm
Operating Temperature Range	: -10°C~60°C
Battery Life	: \geq 12 Months(1700mAh)
Time Indication	: 12Hour Idication By 3Hands (Analogue)

YOUNG TOWN