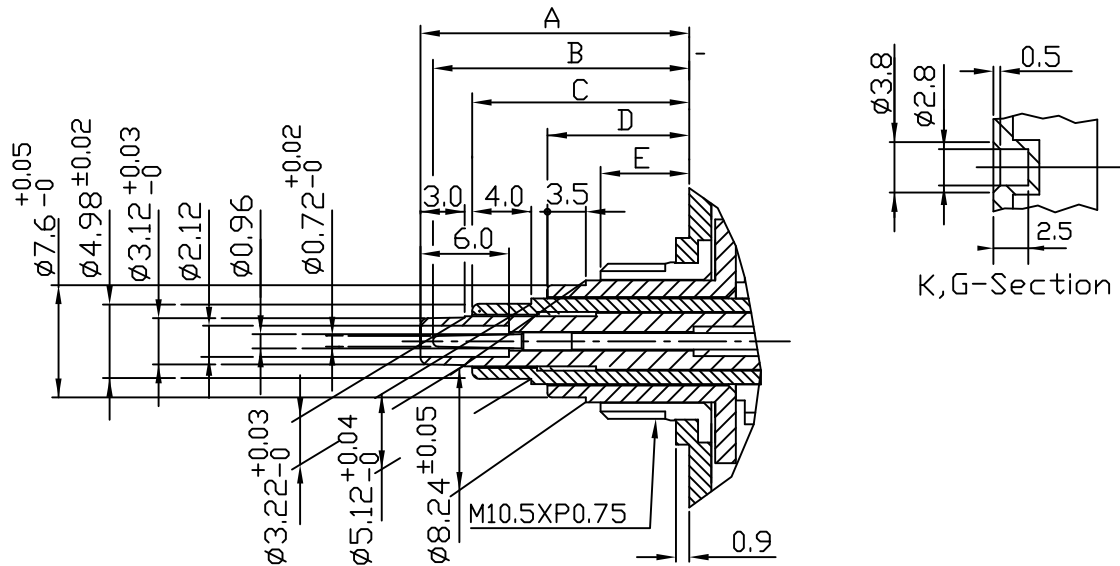
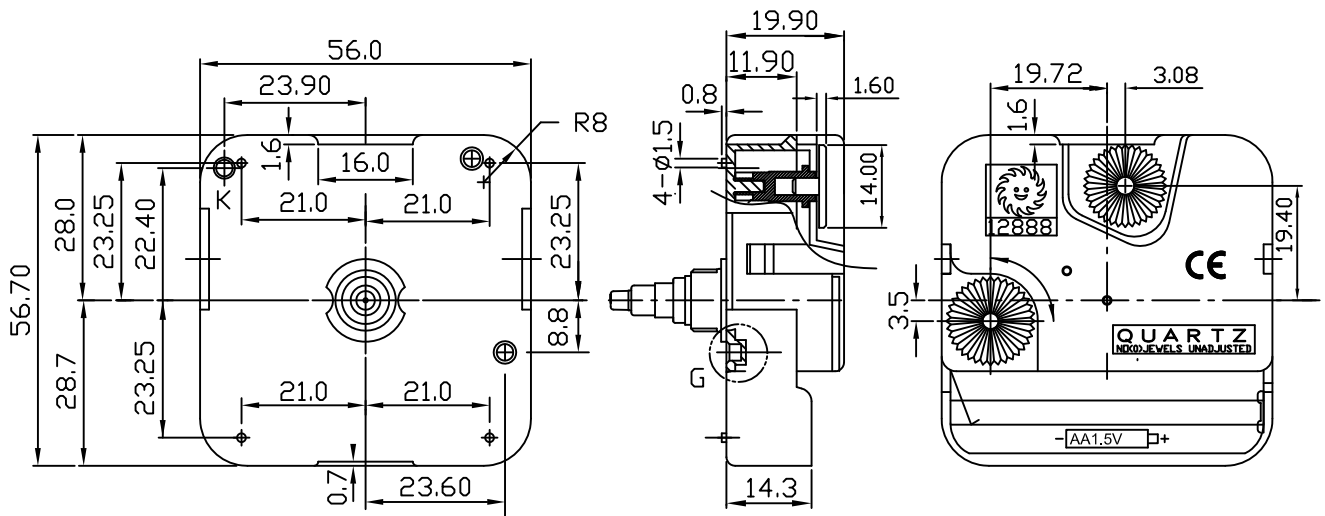


TIDE MOVEMENT



*UNIT:m/m

TYPE \ NO.	A	B	C	D	E	DESCRIPTION	
128FB4H	19.6	18.75	16.1	9.9	6.0	SCREW IN TYPE	TIDE FOR 4 HANDS
128FB4HA	16.1	15.25	12.6	6.85	-	SNAP IN TYPE	
128FB4HB	16.1	15.25	12.6	8.25	5.0	SCREW IN TYPE	

A—Min. B—Sec. C—Hour D—TIDE(24Hour&48Minutes) E—Screw
SPECIFICATIONS

OPERATING VOLTAGE	1.3V ~ 1.7V
TIME KEEPING ACCURACY	±30SEC/MONTH AT 1.5V DC, 25°C (UNADJUSTED)
CURRENT CONSUMPTION	LESS THAN 150μA AT 1.5V DC.
TORQUE AT SECOND HAND	≤0.6 (GF-CM)
TORQUE AT MINUTE HAND	≤36 (GF-CM)
TORQUE AT TIDE HAND	≤36 (GF-CM)
OPERATING TEMPERATURE RANGE	-10°C ~ 60°C