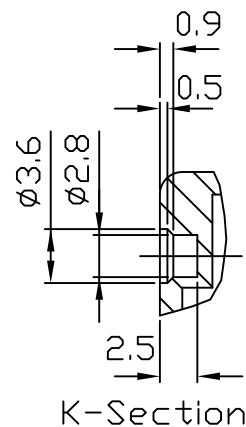
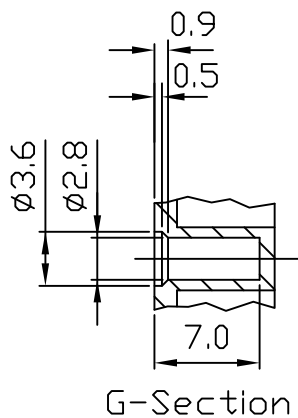
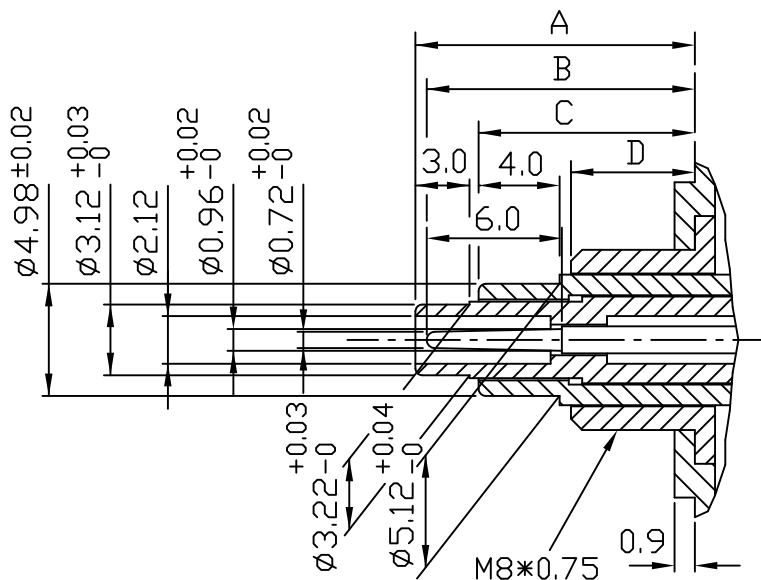
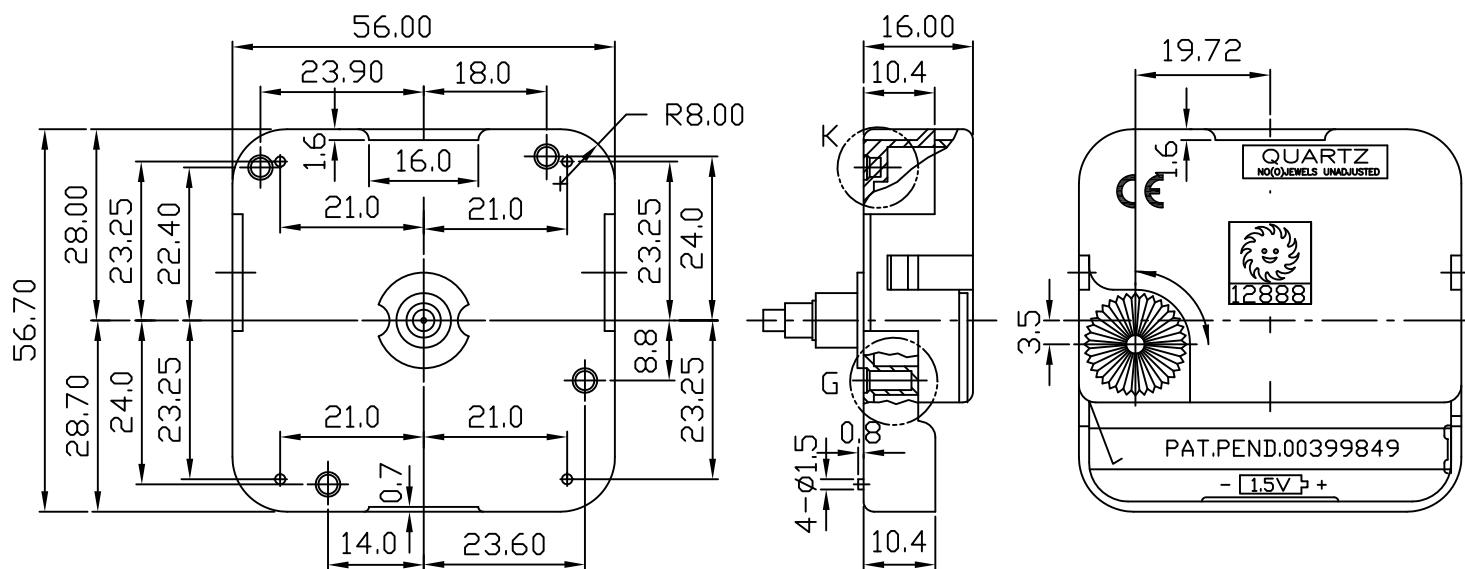


12888SW STRONG MOVEMENT



*UNIT:m/m

TYPE	NO.	A	B	C	D	DESCRIPTION
12888SW		14.5	13.7	11.0	7.0	BATTERY : UM-3
12888SC		23.5	22.7	20.0	16.0	LONGER THREAD SHAFT
12888SC1		17.0	16.2	13.5	9.5	LONGER THREAD SHAFT
12888SC5		20.0	19.1	16.5	12.0	LONGER THREAD SHAFT

SPECIFICATIONS

OPERATING VOLTAGE	1.3V ~ 1.7V
TIME KEEPING ACCURACY	±30SEC/MONTH AT 1.5V DC. 25°C (UNADJUSTED)
CURRENT CONSUMPTION	LESS THAN 200μA AT 1.5V DC.
TORQUE AT SECOND HAND	LESS THAN 0.6~1.2 (GF-CM)
TORQUE AT MINUTE HAND	LESS THAN 36 (GF-CM)
OPERATING TEMPERATURE RANGE	-10°C ~ 60°C