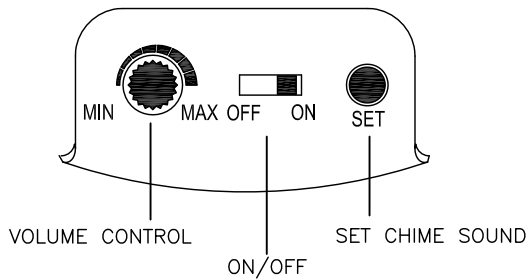
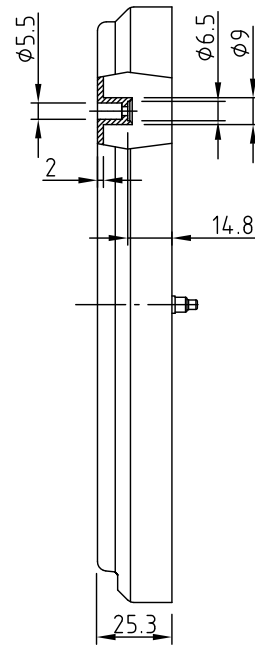
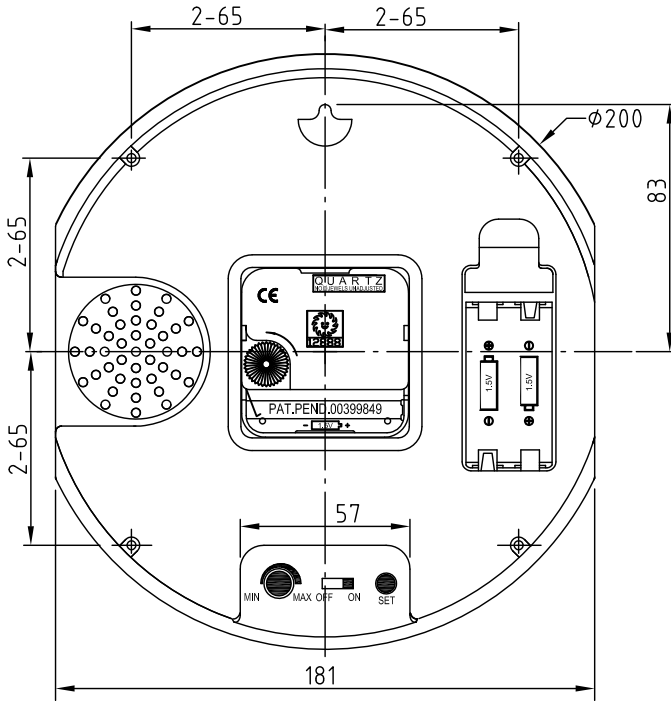
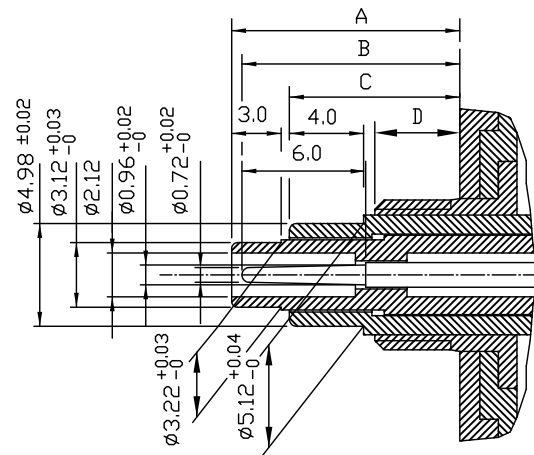


C1-C WESTMINSTER CHIME MODULE

C1-C



CONTROL PANEL
SCALE 2/1



*UNIT:m/m

TYPE \ SPEC	A	B	C	D	DESCRIPTION
C1-CS0	12.5	11.7	9.0	5.0	Standard Movement Chime Westminster plays on the hour.
C1-CSC1	15.0	14.2	11.5	7.5	
C1-CST0	12.5	11.7	9.0	5.0	Sweep Movement Volume switch Night silent from 22:00 to 5:00
C1-CSTC1	15.0	14.2	11.5	7.5	

SPECIFICATIONS:

- Operation Voltage : 2.5V~3.2V(Melody)
: 1.3V~1.5V(Movement)
- Current Consumption : Less Than 40mA At 3V DC (Chime).
: Less Than 150μA At 1.5V DC.
- Battery Life : Approx. 8 Months (2pcs UM-3)(Melody)
: Approx. 12 Months (1pc UM-3)
- Operating Temperature Range : -10°C~60°C