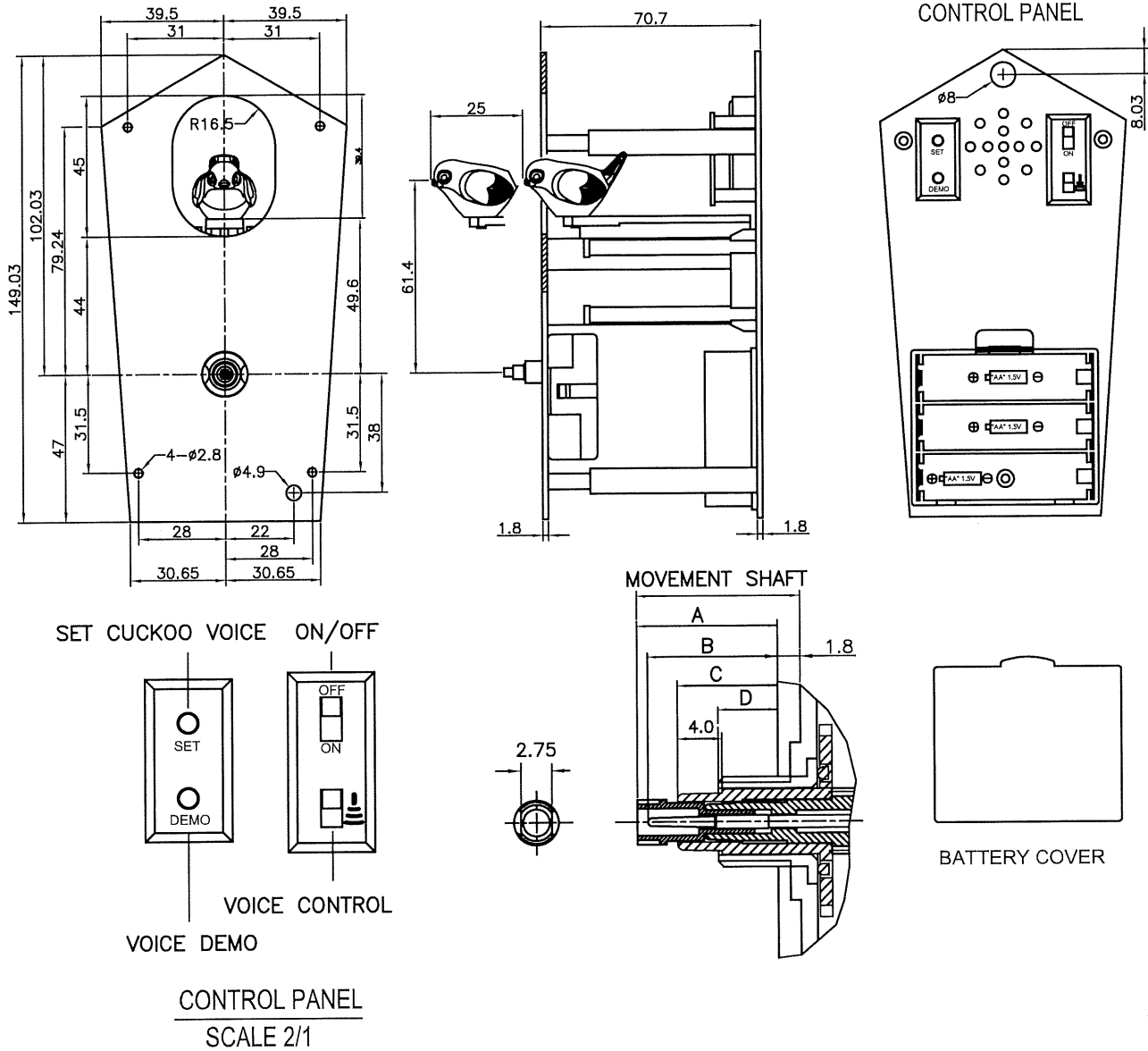


# 12888B3-C MINI CUCKOO MODULE (STANDARD)



## CUCKOO/TRIGGER MOVEMENT (CUCKOO MODULE + TRIGGER MOVEMENT)

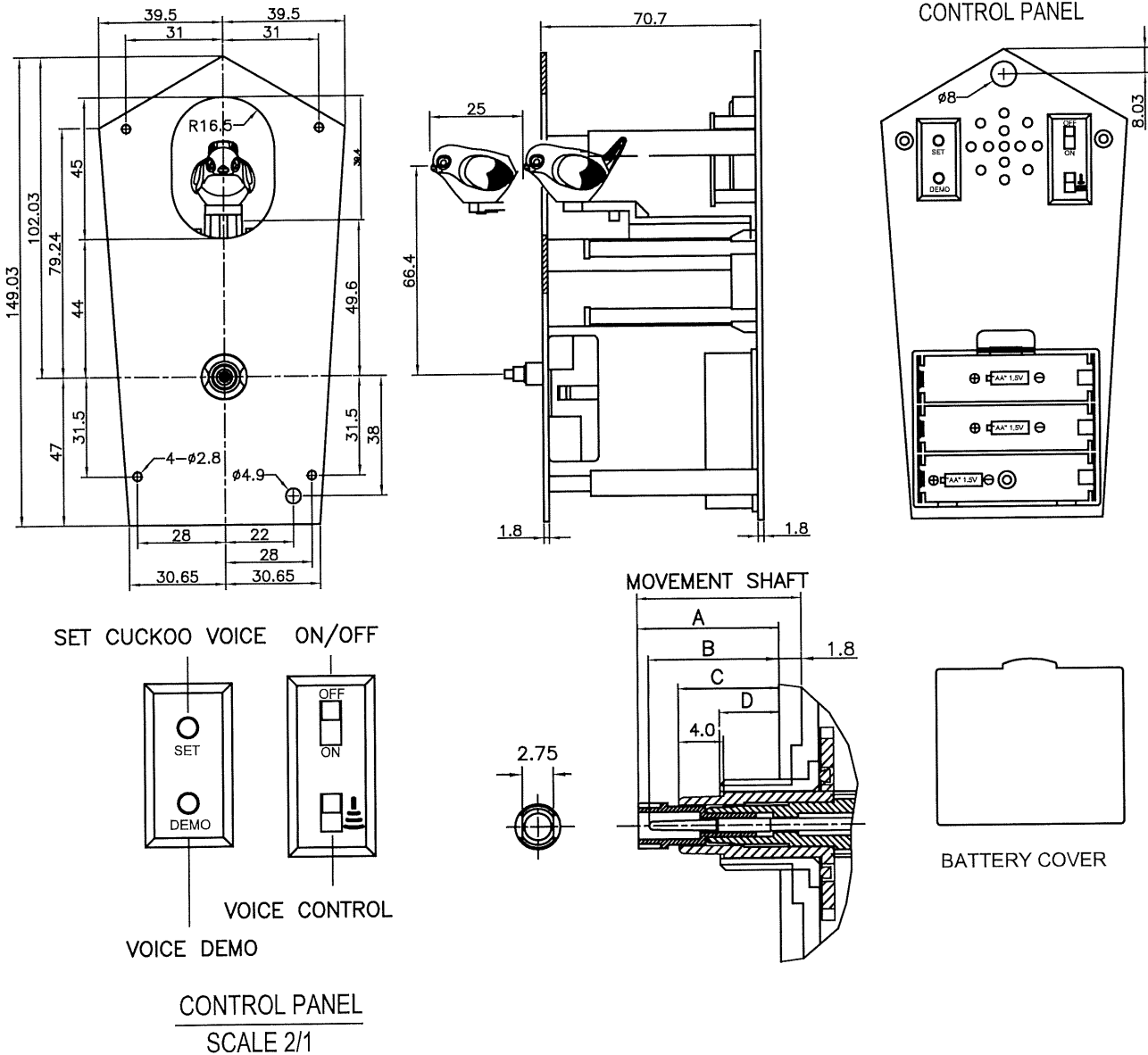
\*UNIT:m/m

ITEM NO.	MOVEMENT TYPE	A	B	C	D	Description
B3-CS1MC	12888B3-C + 12888S1MCEL	21.7	20.9	18.2	14.2	Bird goes forth and chirps on the hour, then goes back.
B3-CS1MC1	12888B3-C + 12888S1MC1EL	15.2	14.4	11.7	7.7	Volume switch
B3-CS1MC5	12888B3-C + 12888S1MC5EL	18.2	17.3	14.7	10.2	Night silent from 22:00 to 5:00

### SPECIFICATIONS :

- Operating Voltage : 12888S1MCEL Trigger Movement 1.3V ~ 1.7V  
 12888B3-C Cuckoo Module 2.5V ~ 3.2V
- Current Consumption : Trigger Movement Less Than 150  $\mu$ A At 1.5V DC.  
 Cuckoo Module Less Than 100 mA At 3V DC.
- Torque at Second Hand :  $\leq 0.6$ (gf-cm)  
 Torque at Minute Hand :  $\leq 36$ (gf-cm)
- Operating Temperature Range :  $-10^{\circ}\text{C} \sim +60^{\circ}\text{C}$
- Battery Life : Trigger Movement - use 1pc UM-3 size AA about 12 months (battery not included)  
 Cuckoo Module - use 2pcs UM-3 size AA about 8 months (battery not included)

# 12888B3-D MINI CUCKOO MODULE (Bigger Bird Type)



## CUCKOO/TRIGGER MOVEMENT (CUCKOO MODULE + TRIGGER MOVEMENT)

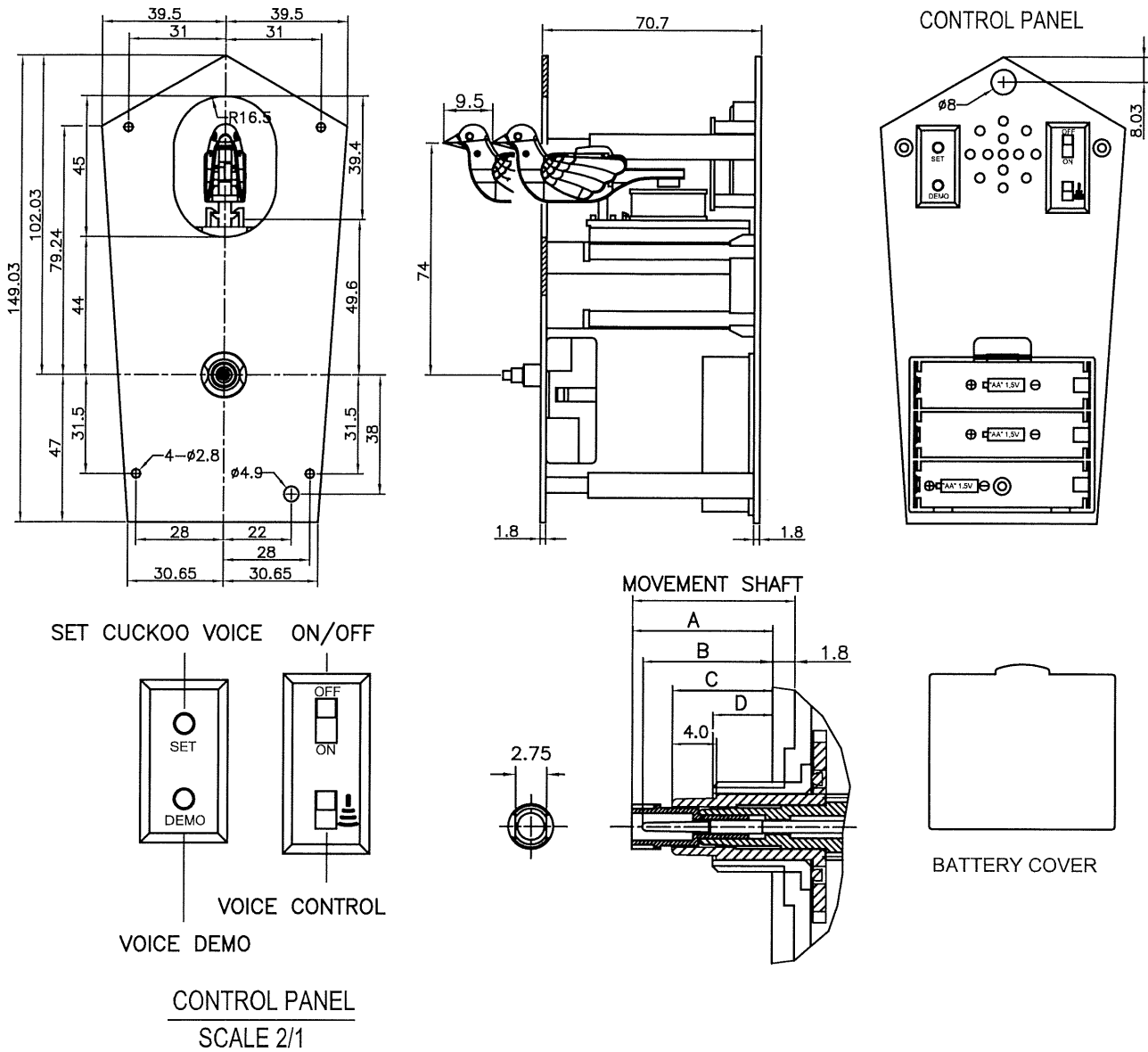
\*UNIT:m/m

ITEM NO.	MOVEMENT TYPE	A	B	C	D	Description
B3-DS1MC	12888B3-D + 12888S1MCEL	21.7	20.9	18.2	14.2	Bird goes forth and chirps on the hour, then goes back.
B3-DS1MC1	12888B3-D + 12888S1MC1EL	15.2	14.4	11.7	7.7	Volume switch
B3-DS1MC5	12888B3-D + 12888S1MC5EL	18.2	17.3	14.7	10.2	Night silent from 22:00 to 5:00

### SPECIFICATIONS :

- Operating Voltage : 12888S1MCEL Trigger Movement 1.3V ~ 1.7V  
12888B3-D Cuckoo Module 2.5V ~ 3.2V
- Current Consumption : Trigger Movement Less Than 150  $\mu$ A At 1.5V DC.  
Cuckoo Module Less Than 100 mA At 3V DC.
- Torque at Second Hand :  $\leq$  0.6(gf-cm)
- Torque at Minute Hand :  $\leq$  36(gf-cm)
- Operating Temperature Range : -10°C ~ +60°C
- Battery Life : Trigger Movement - use 1pc UM-3 size AA about 12 months (battery not included)  
Cuckoo Module - use 2pcs UM-3 size AA about 8 months (battery not included)

# 12888B3-E MINI CUCKOO MODULE



## CUCKOO/TRIGGER MOVEMENT (CUCKOO MODULE + TRIGGER MOVEMENT)

\*UNIT:m/m

ITEM NO.	MOVEMENT TYPE	A	B	C	D	Description
B3-ES1MC	12888B3-E + 12888S1MCEL	21.7	20.9	18.2	14.2	Bird goes forth, sounds cuckoo and clap wings on the hour, then goes back.
B3-ES1MC1	12888B3-E + 12888S1MC1EL	15.2	14.4	11.7	7.7	Volume switch
B3-ES1MC5	12888B3-E + 12888S1MC5EL	18.2	17.3	14.7	10.2	Night silent from 22:00 to 5:00

### SPECIFICATIONS :

- Operating Voltage : 12888S1MCEL Trigger Movement 1.3V ~ 1.7V  
12888B3-E Cuckoo Module 2.5V ~ 3.2V
- Current Consumption : Trigger Movement Less Than 150  $\mu$ A At 1.5V DC.  
Cuckoo Module Less Than 150 mA At 3V DC.
- Torque at Second Hand :  $\leq$  0.6(gf-cm)
- Torque at Minute Hand :  $\leq$  36(gf-cm)
- Operating Temperature Range :  $-10^{\circ}\text{C} \sim +60^{\circ}\text{C}$
- Battery Life : Trigger Movement - use 1pc UM-3 size AA about 12 months (battery not included)  
Cuckoo Module - use 2pcs UM-3 size AA about 6 months (battery not included)