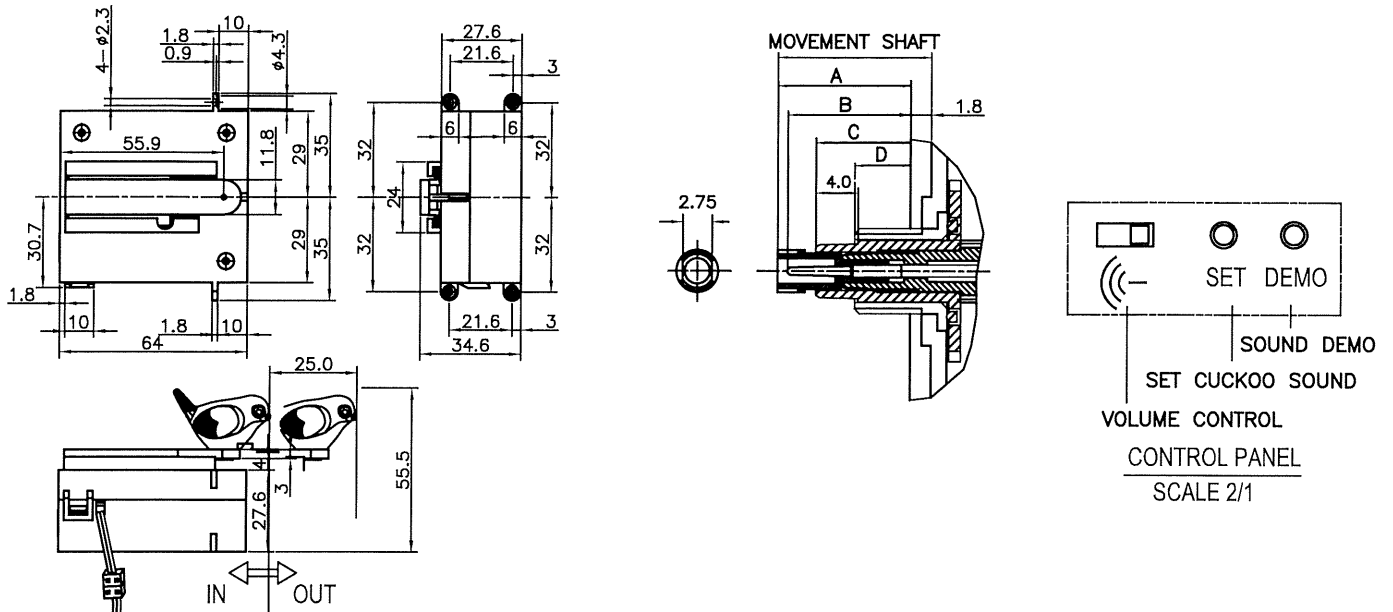
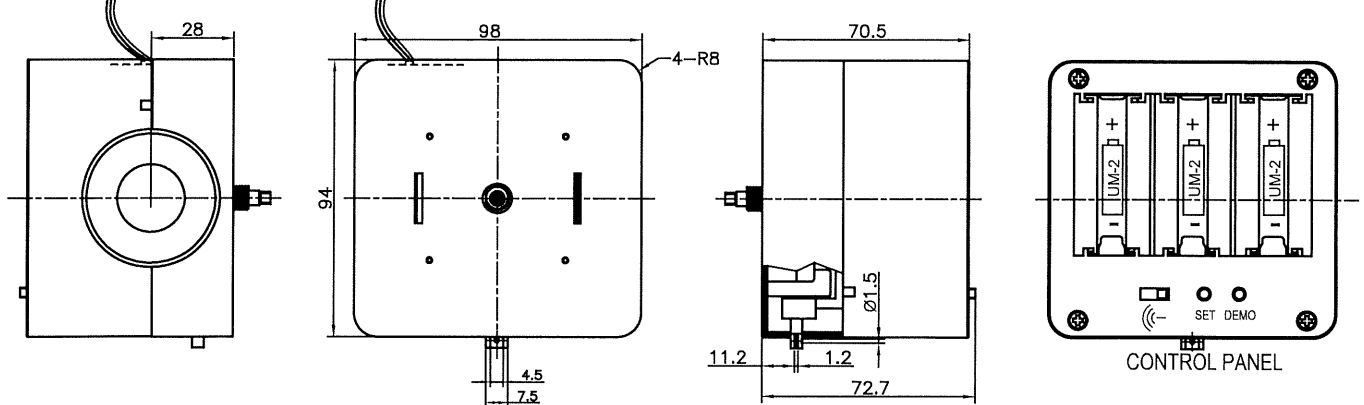


# 12888B2-C CUCKOO MODULE

## CUCKOO MECHANISM



## MOVEMENT AND CONTROL COMPARTMENT



## CUCKOO/PENDULUM TRIGGER MOVEMENT (CUCKOO MODULE +PENDULUM TRIGGER MOVEMENT)

\*UNIT:m/m

ITEM NO.	MOVEMENT TYPE	A	B	C	D	Description
B2-CDM3MC	12888B2-C + 12888DM3MCEL	21.7	20.9	18.2	14.2	Max. Pendulum Swing : 14°
B2-CDM3MC1	12888B2-C + 12888DM3MC1EL	15.2	14.4	11.7	7.7	Max. Pendulum Weight : 40g
B2-CDM3MC5	12888B2-C + 12888DM3MC5EL	18.2	17.3	14.7	10.2	Max. Pendulum Length : 30cm

### SPECIFICATIONS :

Operating Voltage : 12888DM3MCEL Pendulum Trigger Movement 1.3V ~ 1.7V  
12888B2-C Cuckoo Module 2.5V ~ 3.2V

Current Consumption : Trigger Pendulum Movement Less Than 250~270  $\mu$ A At 1.5V DC.  
Cuckoo Module Less Than 100 mA At 3V DC.

Torque at Second Hand :  $\leq$  0.6(gf-cm)

Torque at Minute Hand :  $\leq$  36(gf-cm)

Operating Temperature Range : -10°C ~ +60°C

Battery Life : Trigger Pendulum Movement - use 1pc UM-2 size C about 12 months (battery not included)  
Cuckoo Module - use 2pcs UM-2 size C about 12 months (battery not included)

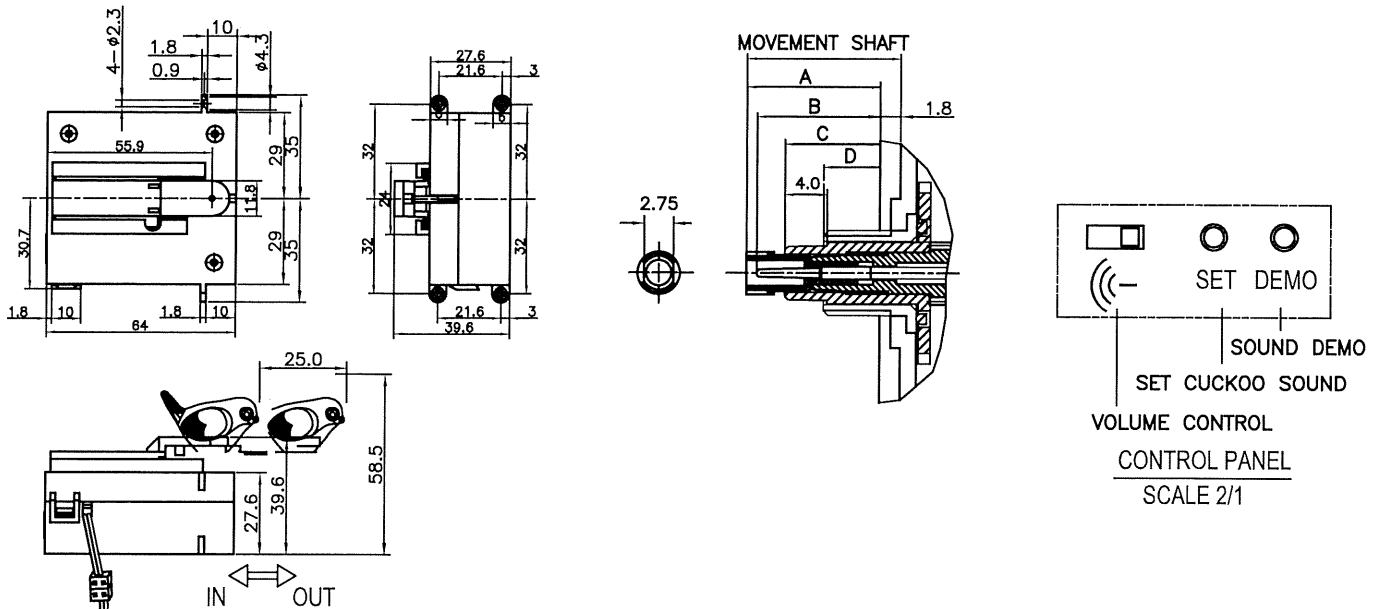
### FUNCTIONS:

Bird goes forth and chirps on the hour, then goes back.  
Volume switch

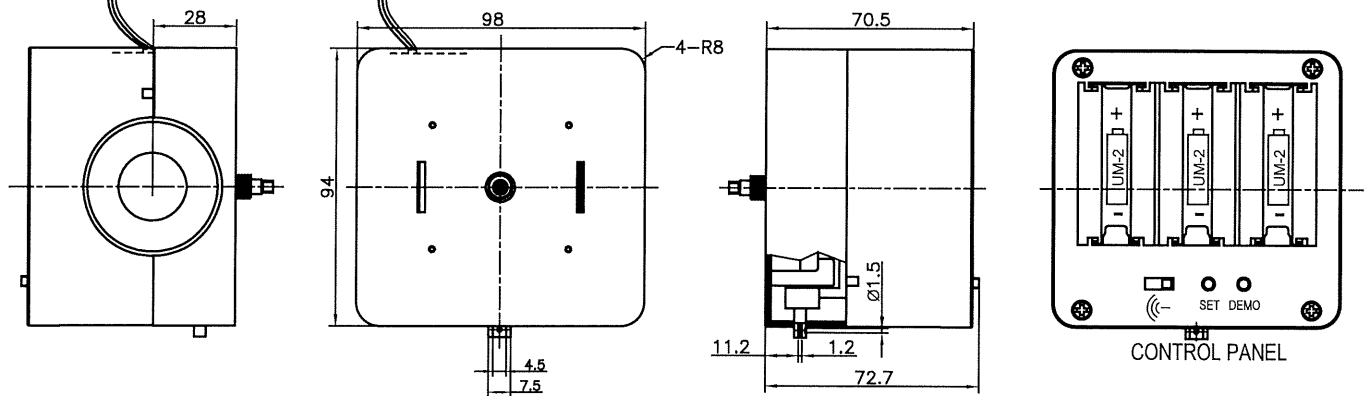
Night silent from 22:00 to 5:00

# 12888B2-D CUCKOO MODULE

## CUCKOO MECHANISM



## MOVEMENT AND CONTROL COMPARTMENT



## CUCKOO/PENDULUM TRIGGER MOVEMENT (CUCKOO MODULE +PENDULUM TRIGGER MOVEMENT)

\*UNIT:m/m

ITEM NO.	MOVEMENT TYPE	A	B	C	D	Description
B2-DDM3MC	12888B2-D + 12888DM3MCEL	21.7	20.9	18.2	14.2	Max. Pendulum Swing : 14°
B2-DDM3MC1	12888B2-D + 12888DM3MC1EL	15.2	14.4	11.7	7.7	Max. Pendulum Weight : 40g
B2-DDM3MC5	12888B2-D + 12888DM3MC5EL	18.2	17.3	14.7	10.2	Max. Pendulum Length : 30cm

### SPECIFICATIONS :

Operating Voltage : 12888DM3MCEL Pendulum Trigger Movement.3V ~ 1.7V  
12888B2-D Cuckoo Module 2.5V ~ 3.2V

Current Consumption : Trigger Pendulum Movement Less Than 250~270  $\mu$ A At 1.5V DC.  
Cuckoo Module Less Than 100 mA At 3V DC.

Torque at Second Hand :  $\leq$  0.6(gf-cm)

Torque at Minute Hand :  $\leq$  36(gf-cm)

Operating Temperature Range : -10°C ~ +60°C

Battery Life : Trigger Pendulum Movement - use 1pc UM-2 size C about 12 months (battery not included)  
Cuckoo Module - use 2pcs UM-2 size C about 12 months (battery not included)

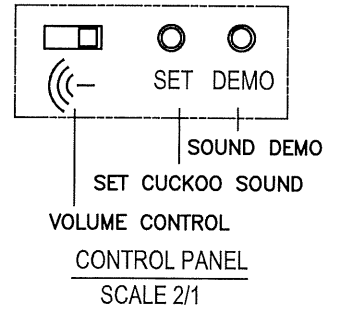
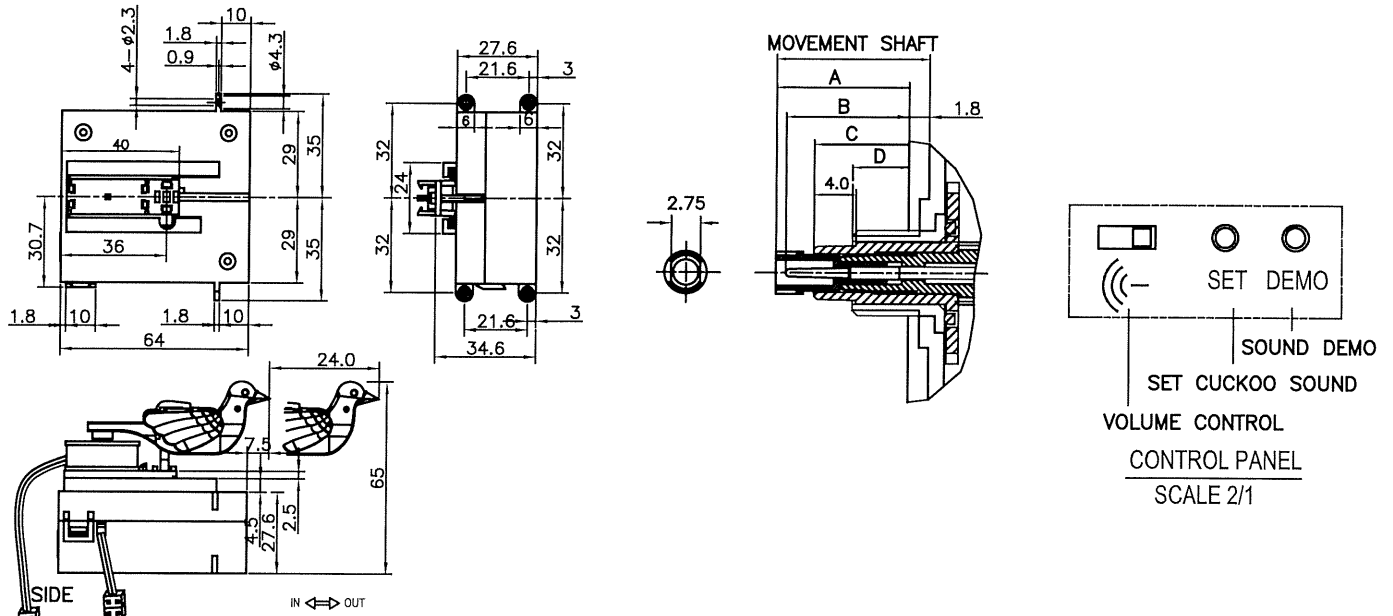
### FUNCTIONS:

Bird goes forth and chirps on the hour, then goes back.  
Volume switch

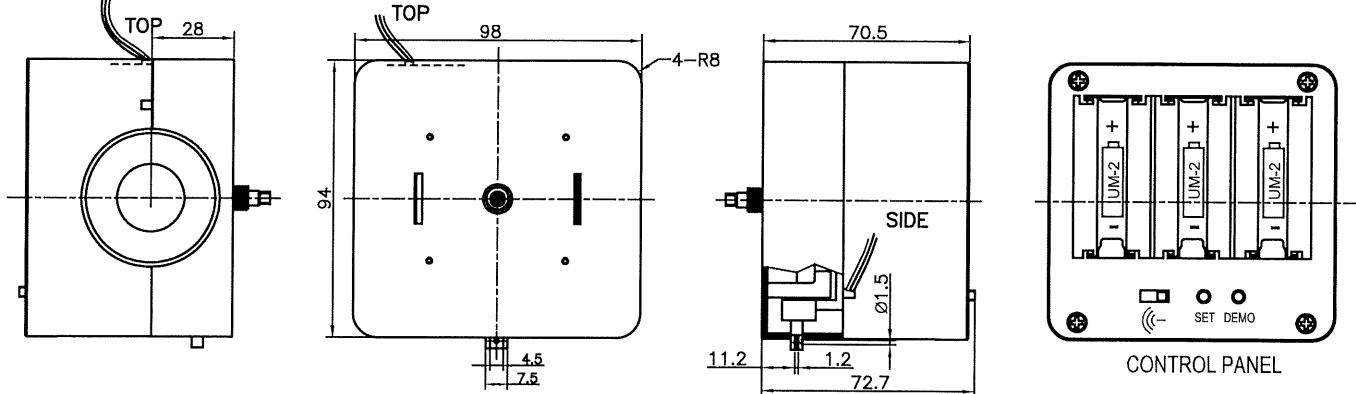
Night silent from 22:00 to 5:00

# 12888B2-E CUCKOO MODULE

## CUCKOO MECHANISM



## MOVEMENT AND CONTROL COMPARTMENT



## CUCKOO/PENDULUM TRIGGER MOVEMENT (CUCKOO MODULE +PENDULUM TRIGGER MOVEMENT)

\*UNIT:m/m

ITEM NO.	MOVEMENT TYPE	A	B	C	D	Description
B2-EDM3MC	12888B2-E + 12888DM3MCEL	21.7	20.9	18.2	14.2	Max. Pendulum Swing : 14°
B2-EDM3MC1	12888B2-E + 12888DM3MC1EL	15.2	14.4	11.7	7.7	Max. Pendulum Weight : 40g
B2-EDM3MC5	12888B2-E + 12888DM3MC5EL	18.2	17.3	14.7	10.2	Max. Pendulum Length : 30cm

### SPECIFICATIONS :

- Operating Voltage : 12888DM3MCEL Pendulum Trigger Movement 1.3V ~ 1.7V  
12888B2-E Cuckoo Module 2.5V ~ 3.2V
- Current Consumption : Trigger Pendulum Movement Less Than 250~270 μA At 1.5V DC.  
Cuckoo Module Less Than 150 mA At 3V DC.
- Torque at Second Hand : ≤ 0.6(gf-cm)
- Torque at Minute Hand : ≤ 36(gf-cm)
- Operating Temperature Range : -10°C ~ +60°C
- Battery Life : Trigger Pendulum Movement - use 1pc UM-2 size C about 12 months (battery not included)  
Cuckoo Module - use 2pcs UM-2 size C about 12 months (battery not included)

### FUNCTIONS:

- Bird goes forth, sounds cuckoo and clap wings on the hour, then goes back.
- Volume switch
- Night silent from 22:00 to 5:00