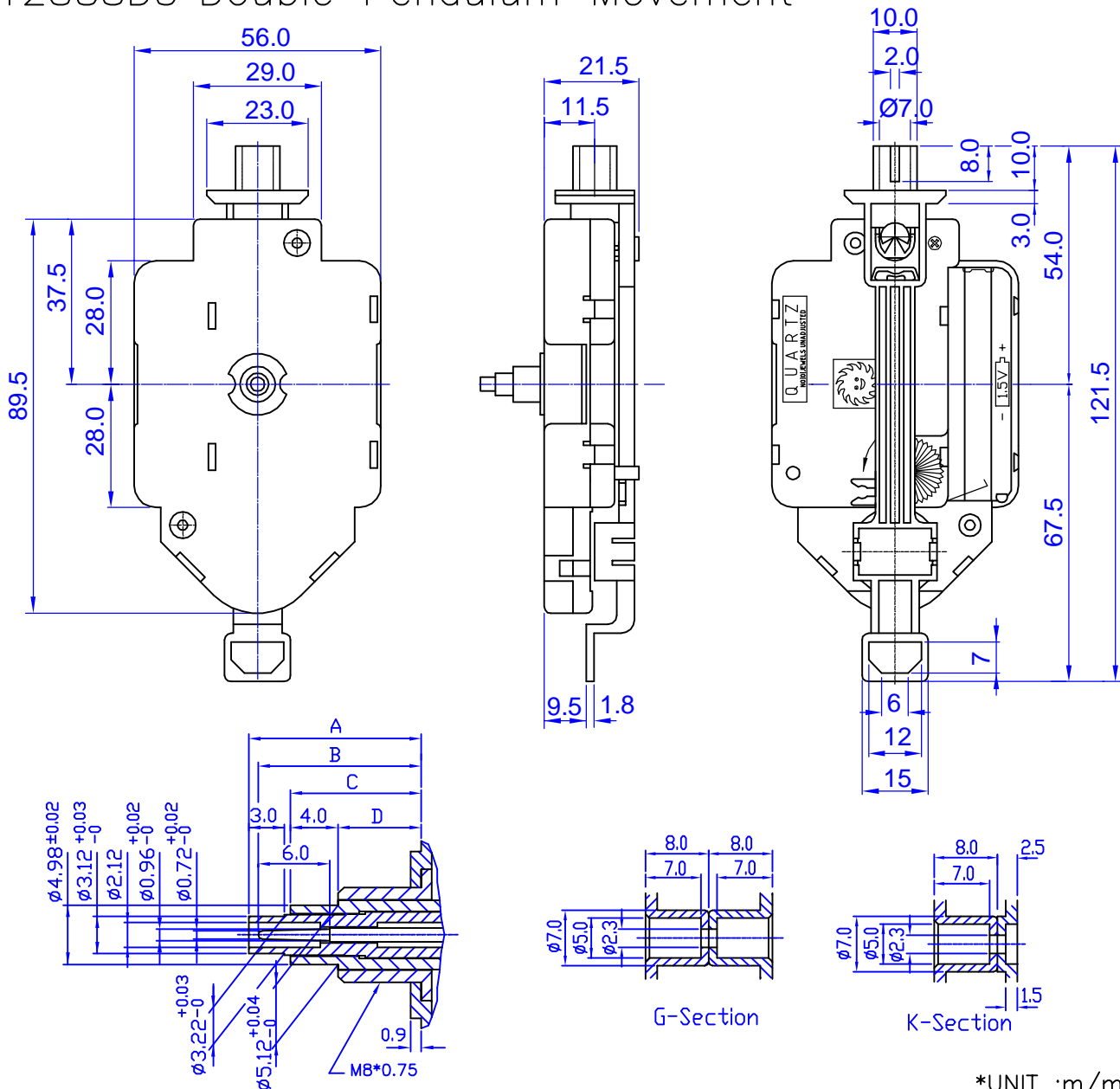


12888D3 Double Pendulum Movement



*UNIT :m/m

TYPE	SPEC	A	B	C	D	DESCRIPTION
12888D3		14.5	13.7	11.0	7.0	MAXIMUM PENDULUM SWING : 26°
12888D3R		14.5	13.7	11.0	7.0	MAXIMUM PENDULUM SWING : 14°
MAXIMUM PENDULUM LENGTH : 35 cm , MAXIMUM PENDULUM WEIGHT : 40 g						

SPECIFICATIONS

OPERATING VOLTAGE	1.3V~1.7V
TIME KEEPING ACCURACY	±30SEC/MONTH AT 1.5V DC. 25° (UNADJUSTED)
BATTERY LIFE	APPROX. 8 MONTHS (UM-3)
TORQUE AT SECOND HAND	LESS THAN 0.6 (GF-CM)
TORQUE AT MINUTE HAND	LESS THAN 36 (GF-CM)
OPERATING TEMPERATURE RANGE	-10°C~+60°C
CURRENT CONSUMPTION	LESS THAN 250µA~270µA AT 1.5V DC. (PENDULUM)

