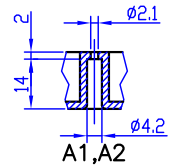
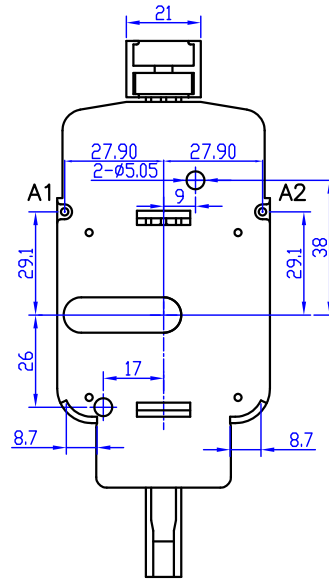
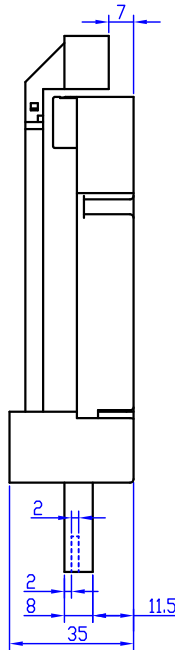
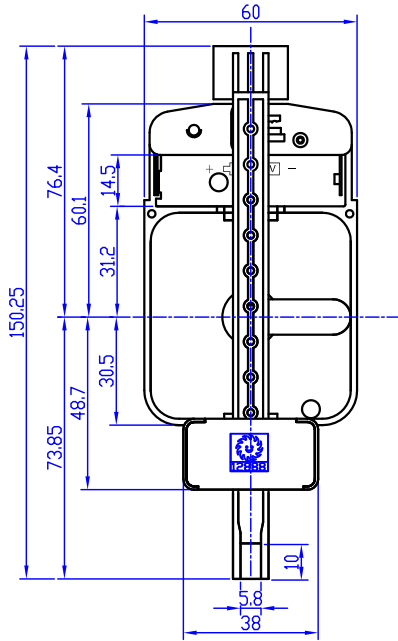
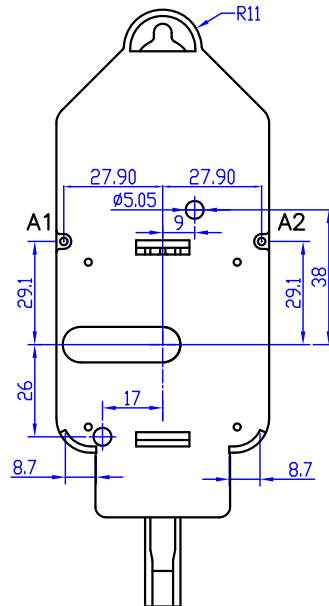
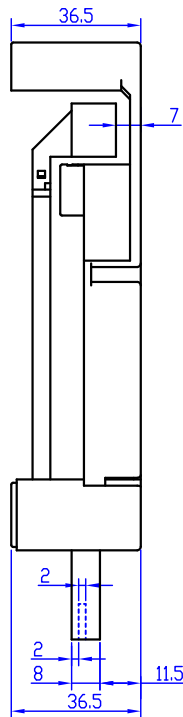
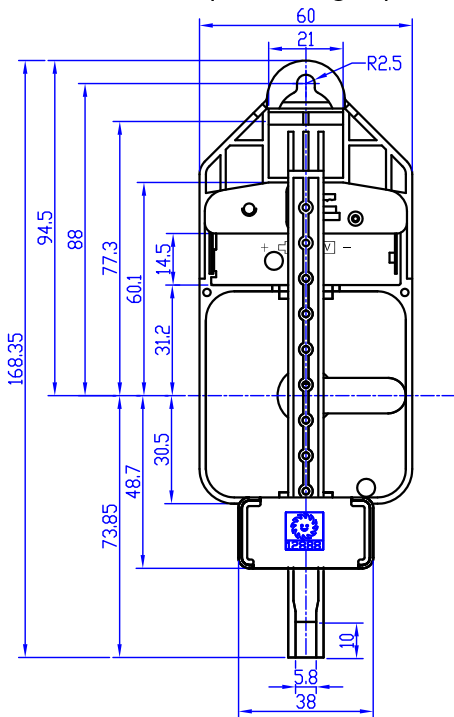


Slow Pendulum Holder

12888DS1



12888DS1K(W/Hanger)

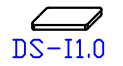


BALANCE WEIGHT:

I-TYPE:



DS-13.6



DS-11.0

U-TYPE:

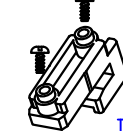
SCREW: $\varnothing 2.3 \times 6PA$



DS-U10.3g

PLASTIC ROD HOOK:

SCREW: $\varnothing 1.7 \times 5PB$
2PCS



DS-P

DIMENSION: 60Wx150.3(168.4)Hx35(36.5)D

NO.	Description
12888DS1/DS1K	Max. Pendulum Swing : 33°
	Max. Pendulum Weight : 18g
	Max. Pendulum Length : 26cm

SPECIFICATIONS

Operating Voltage : 1.3V ~ 1.7V
 Current Consumption: Less Than 550 μA At 1.5V DC.
 Swing Frequency : 25~30 Cycles/Minute
 Operating Temperature Range: -10°C ~ +60°C