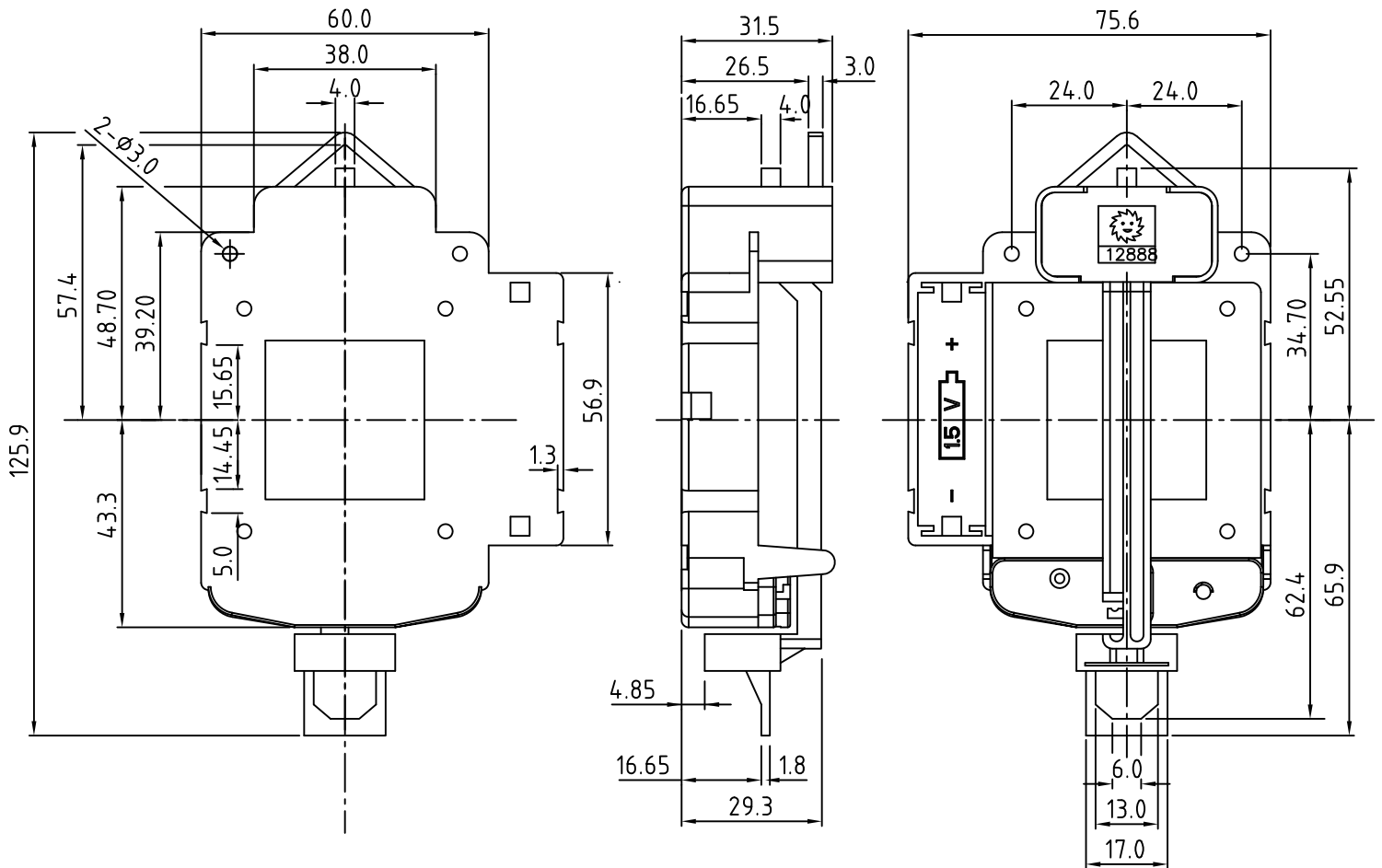


# Pendulum Holder

12888DF



**DIMENSION: 75.6Wx125.9Hx31.5D**

×UNIT : m/m

NO.	Description
12888DF1	Max.Pendulum Swing : 30° Max.Pendulum Length : 40cm Max.Pendulum Weight : 100g
12888DF2	Max.Pendulum Swing : 30° Max.Pendulum Length : 60cm Max.Pendulum Weight : 200g

## SPECIFICATIONS

Operating Voltage	: 1.3V ~ 1.7V
Current Consumption	: Less Than 550 μA At 1.5V DC.(12888DF1) : Less Than 2.0 mA At 1.5V DC.(12888DF2)
Operating Temperature Range	: -10°C ~ +60°C