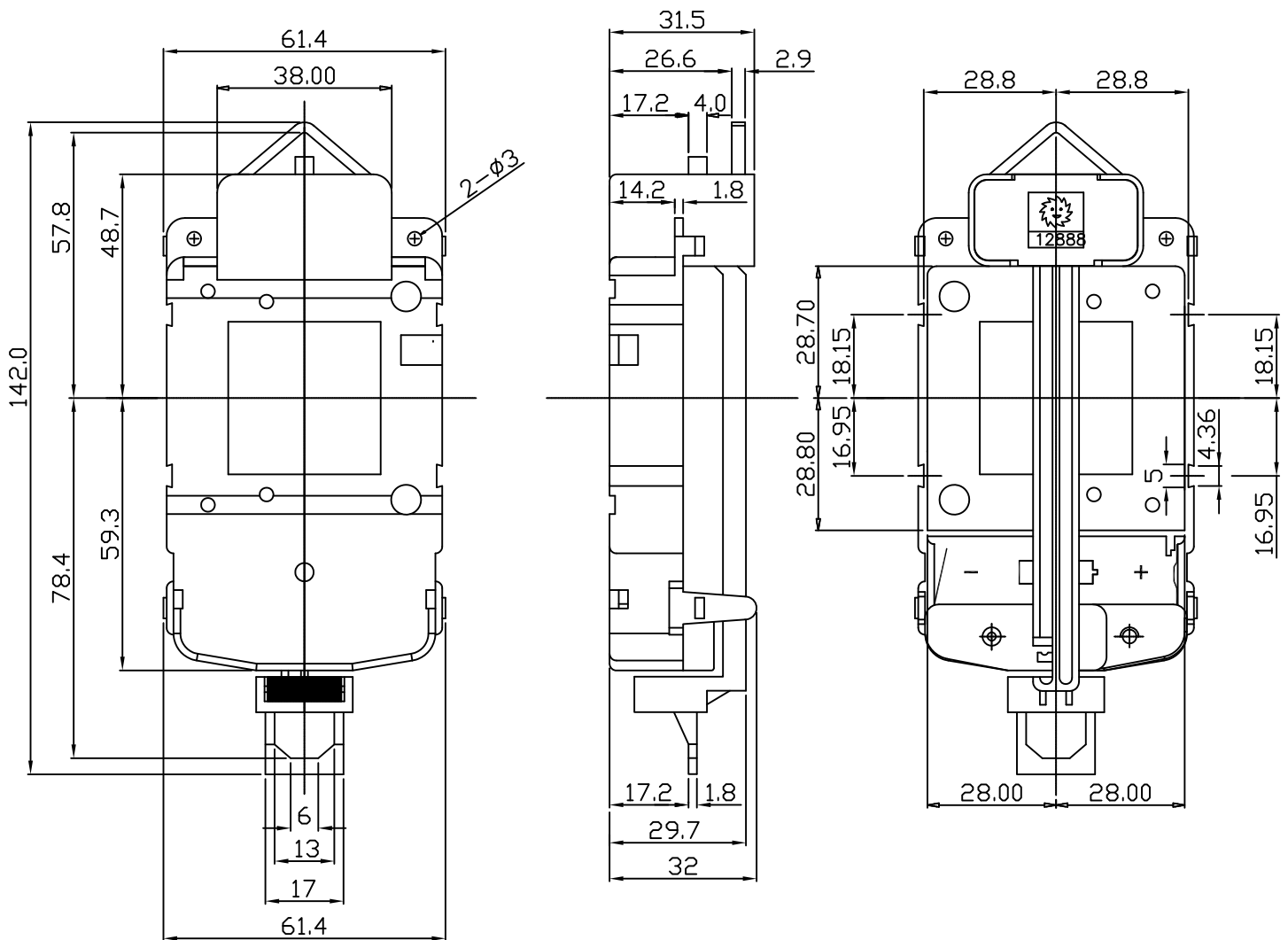


# Pendulum Holder



**DIMENSION: 61.4Wx142Hx31.5D**

\*UNIT : m/m

NO.	Description	
12888DH1	Max.Pendulum Swing : 30° Max.Pendulum Length : 40cm	Max.Pendulum Weight : 100g
12888DH2	Max.Pendulum Swing : 30° Max.Pendulum Length : 60cm	Max.Pendulum Weight : 200g

## SPECIFICATIONS

Operating Voltage	: 1.3V ~ 1.7V
Current Consumption	: Less Than 550 $\mu$ A At 1.5V DC.(12888DH1) : Less Than 2.0 mA At 1.5V DC.(12888DH2)
Operating Temperature Range	: -10°C ~ +60°C