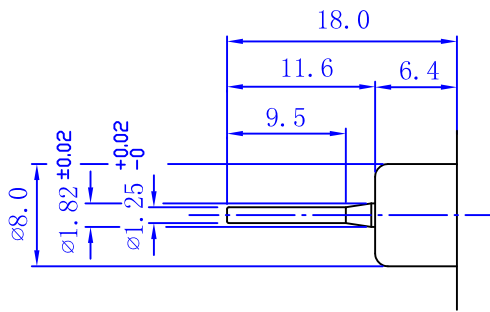
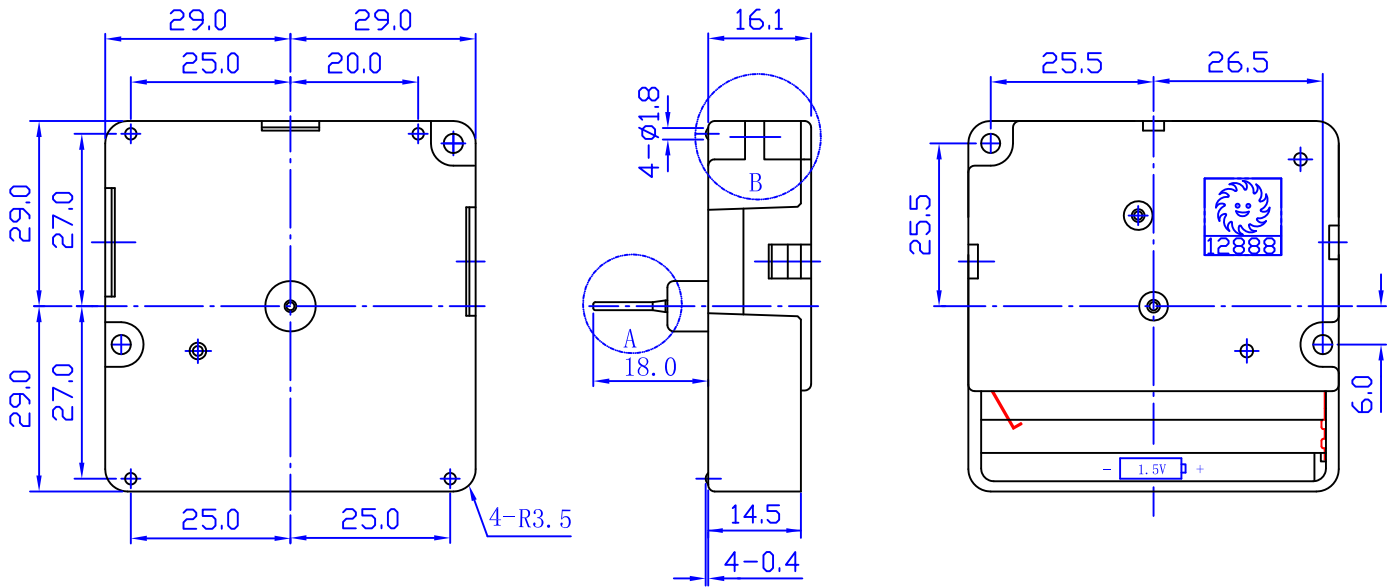
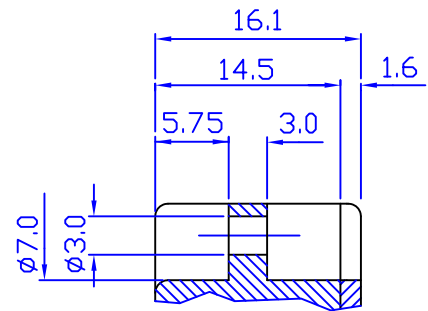


# 12888R ROTARY MOVEMENT



128R, R1  
A-Section



B-Section

\*UNIT : m/m

NO.	Shaft Length	Description
12888R	18.0	Rotation Angle 350° two-way revolution
12888R1	18.0	Rotation Angle 360° one-way revolution

## SPECIFICATIONS

Rated Voltage	1.5V
Cycle	5Sec to 9Sec/cycle
Torqus for Shaft	Within 20g to 30g
Operating Voltage	1.3V to 1.7V
Battery Life	Approx. 5 months (UM-3)