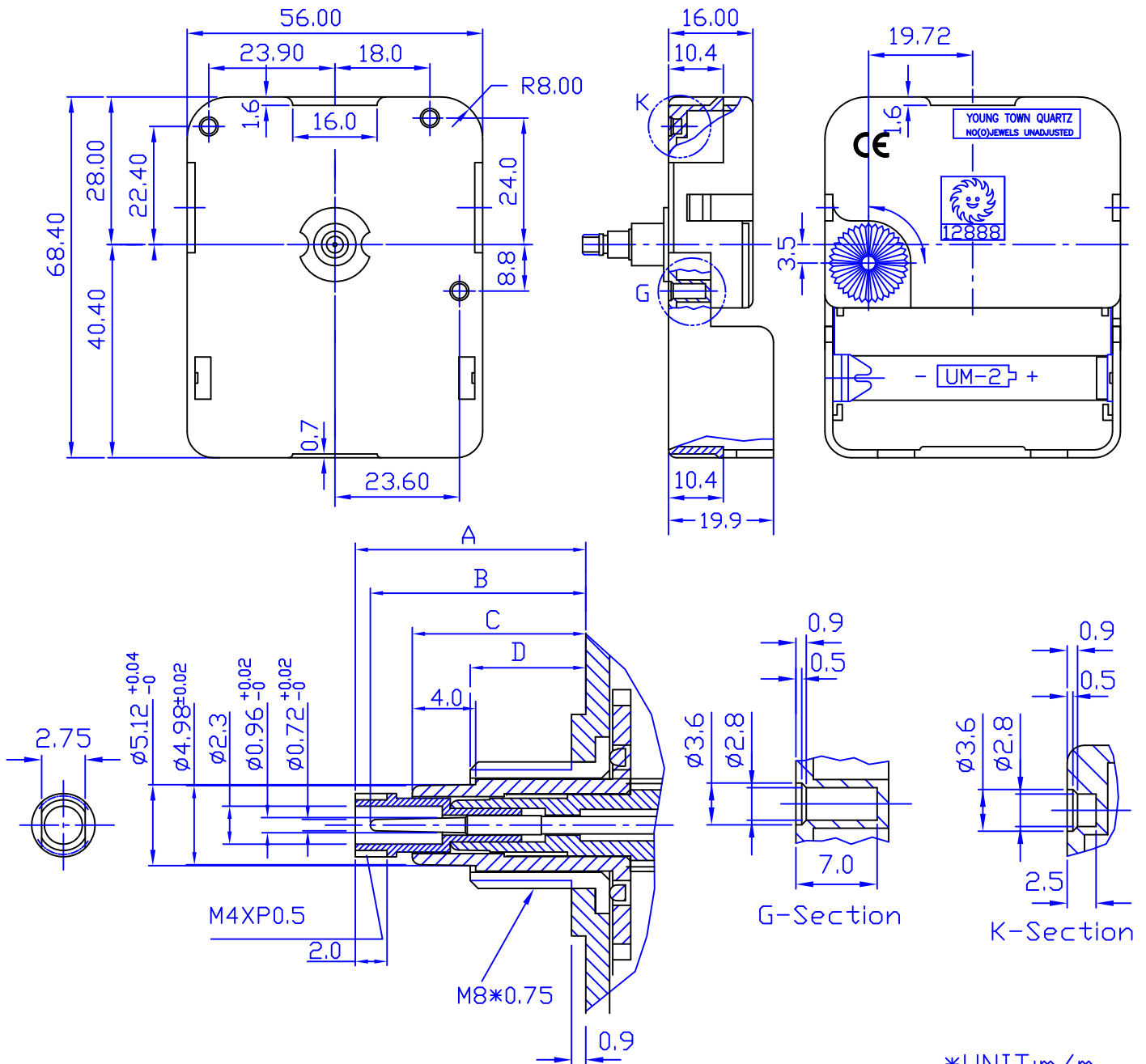


12888S2MC1 HIGH TORQUE "I" SHAFT MOVEMENT (UM-2)



*UNIT:m/m

TYPE \ NO.	A	B	C	D	DESCRIPTION
12888S2MC1	17.0	16.2	13.5	9.5	BATTERY : UM-2

SPECIFICATIONS

OPERATING VOLTAGE	1.3V ~ 1.7V
TIME KEEPING ACCURACY	±30SEC/MONTH AT 1.5V DC, 25°C (UNADJUSTED)
CURRENT CONSUMPTION	LESS THAN 150μA AT 1.5V DC.
BATTERY LIFE	APPROX. HALF PAST ONE YEARS(UM-2)
TORQUE AT SECOND HAND	LESS THAN 0.6 (GF-CM)
TORQUE AT MINUTE HAND	LESS THAN 45 (GF-CM)
OPERATING TEMPERATURE RANGE	-10°C ~ 60°C