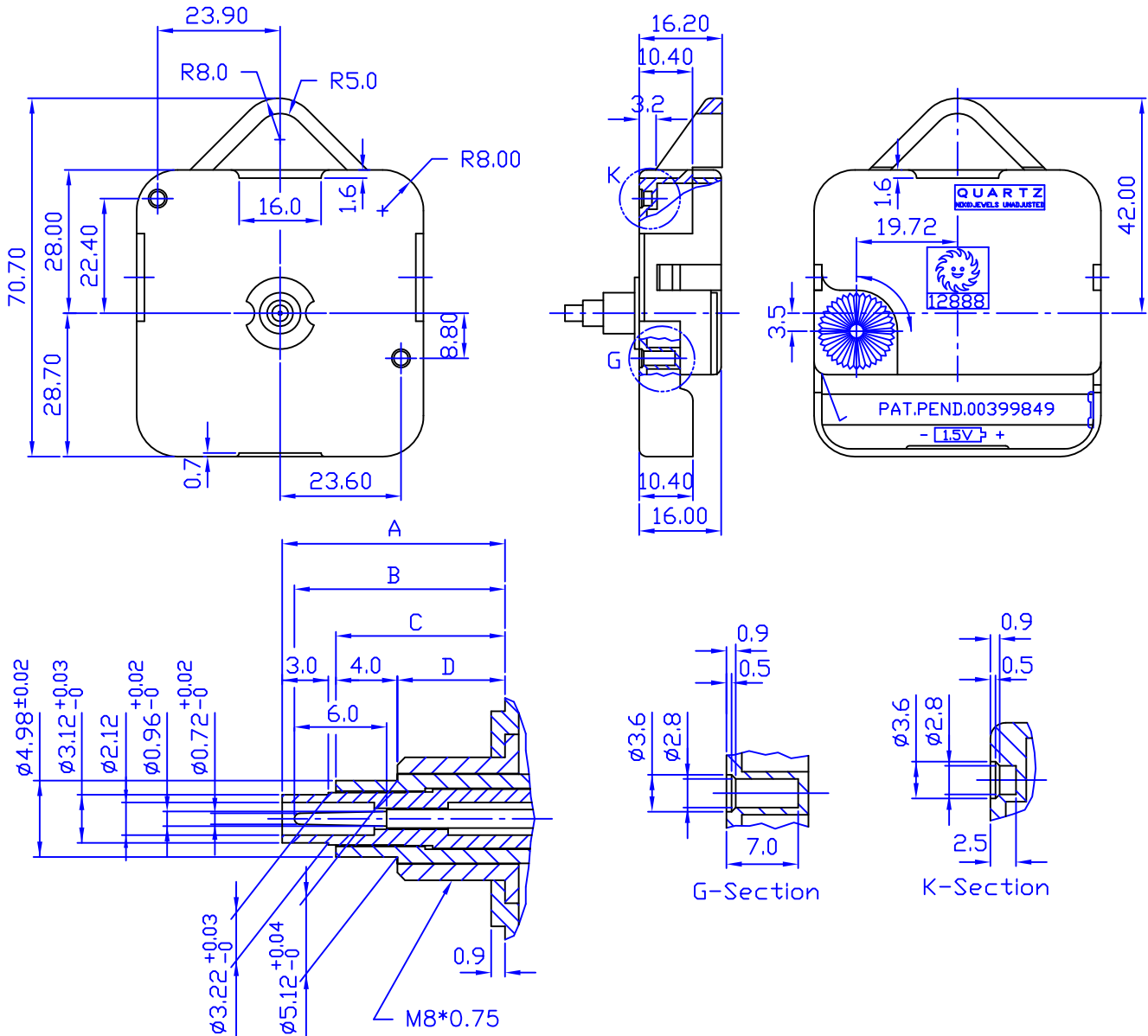


12888SK WITH PLASTIC HANGER



DIMENSION: 56Wx70.7Hx16.2D

*UNIT : m/m

TYPE \ SPEC	A	B	C	D	DESCRIPTION
12888SK	14.5	13.7	11.0	7.0	WITH PLASTIC HANGER
12888SBK	11.0	10.2	7.5	3.5	
12888SB2K	12.4	11.9	9.6	5.5	
12888SC1K	17.0	16.2	13.5	9.5	
12888SC5K	20.0	19.1	16.5	12.0	
12888SCK	23.5	22.7	20.0	16.0	

SPECIFICATIONS

OPERATING VOLTAGE	1.3V ~ 1.7V
TIME KEEPING ACCURACY	±30SEC/MONTH AT 1.5V DC, 25°C (UNADJUSTED)
CURRENT CONSUMPTION	LESS THAN 150µA AT 1.5V DC.
TORQUE AT SECOND HAND	0.6 (GF-CM)
TORQUE AT MINUTE HAND	LESS THAN 36 (GF-CM)
OPERATING TEMPERATURE RANGE	-10°C ~ 60°C

ALLOWED HAND

LENGTH:	UNDER	SECOND	MINUTE
		130mm	160mm
WEIGHT:	UNDER	2g	6g
UNBALANCE:	UNDER	0.15gf-cm	6gf-cm

YOUNG TOWN