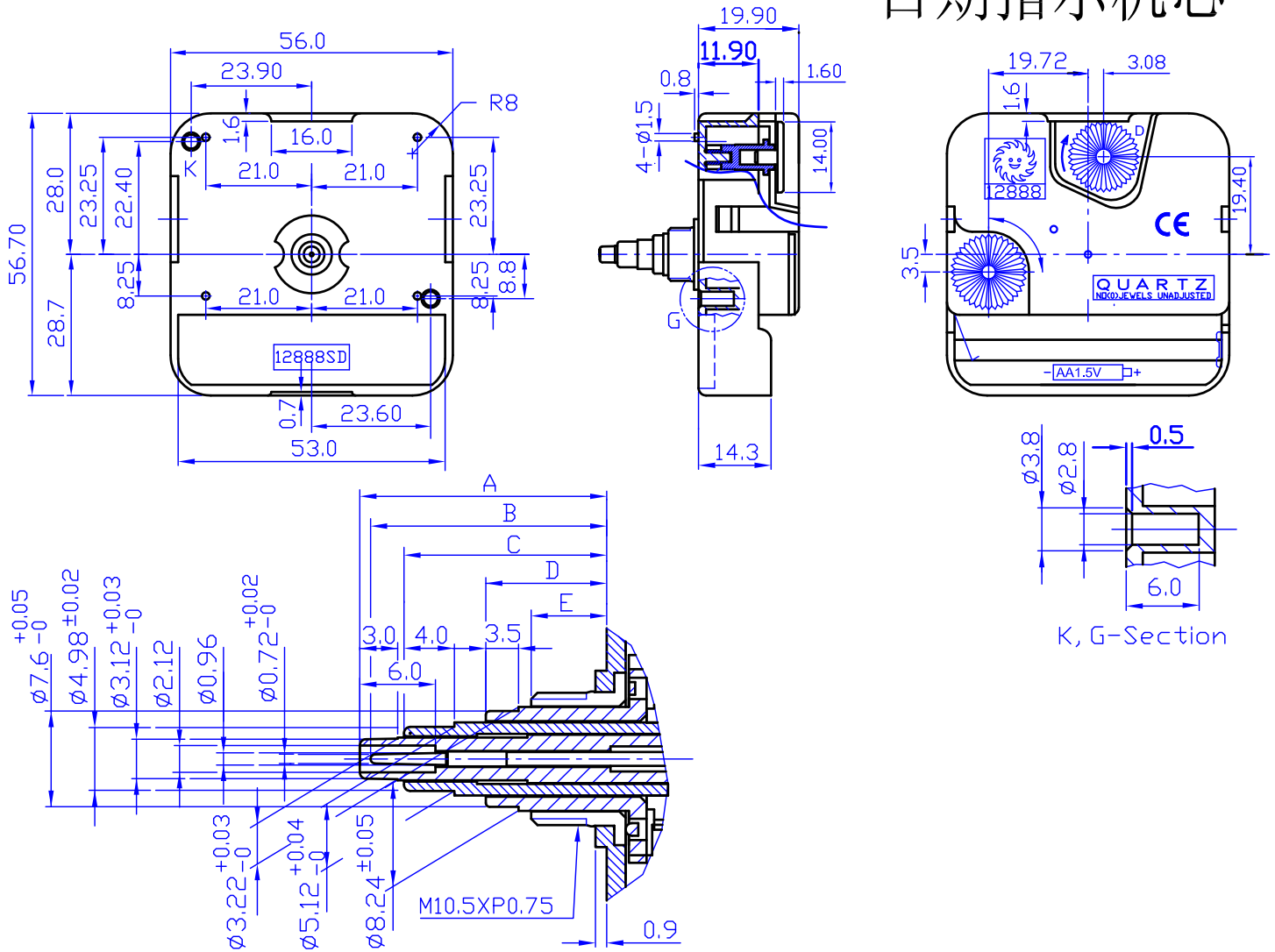


12888SD DATE INDICATION CLOCK MOVEMENT 日期指示机芯



*UNIT:m/m

TYPE \ NO.	A	B	C	D	E	DESCRIPTION
12888SD	19.6	18.75	16.1	10.5	6.0	STANDARD MOVEMENT
12888SDA	16.1	15.25	12.6	6.85	0	WITHOUT THREAD SHAFT

A-Min. B-Sec. C-Hour D-Date E-Screw

SPECIFICATIONS

OPERATING VOLTAGE	1.3V ~ 1.7V
TIME KEEPING ACCURACY	± 30 SEC/MONTH AT 1.5V DC. 25°C (UNADJUSTED)
CURRENT CONSUMPTION	LESS THAN 150 μ A AT 1.5V DC.
TORQUE AT SECOND HAND	0.6 (GR-CM)
TORQUE AT MINUTE HAND	LESS THAN 36 (GR-CM)
OPERATING TEMPERATURE RANGE	-10°C ~ 60°C
BATTERY LIFE	Approx. One Year(UM-3)