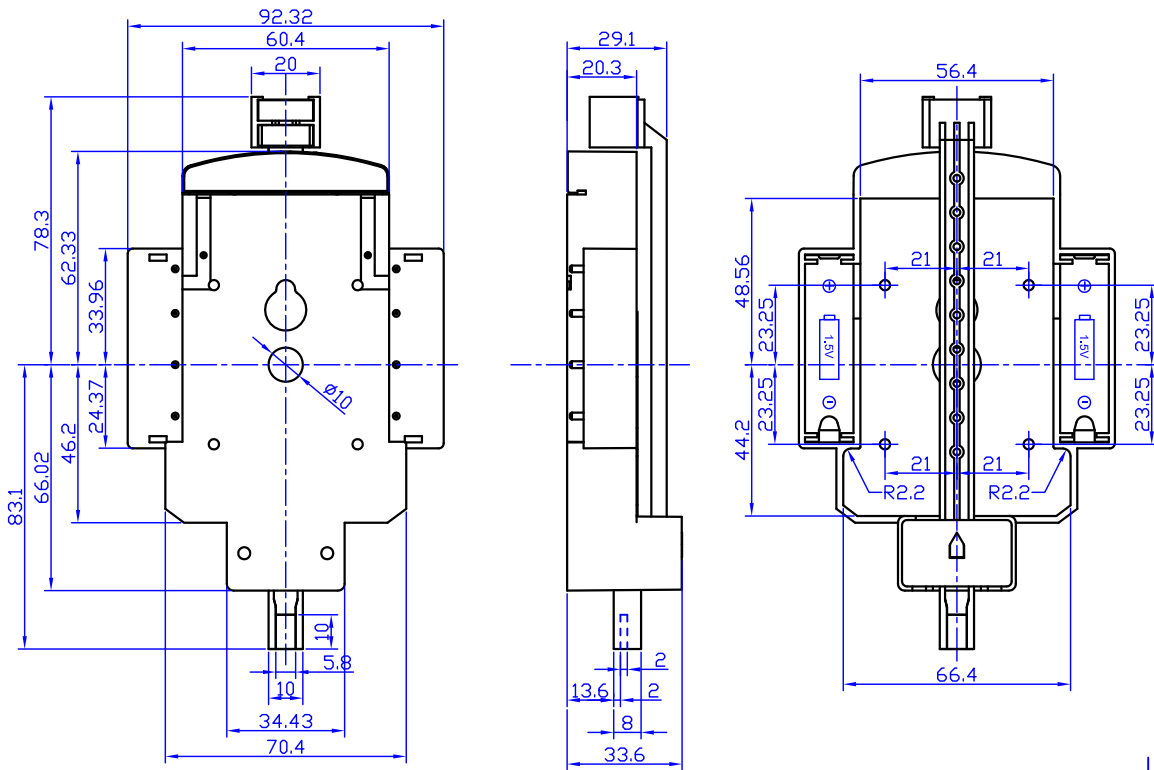


1288DSF1/DSF2 Slow Pendulum Holder



UNIT : m/m

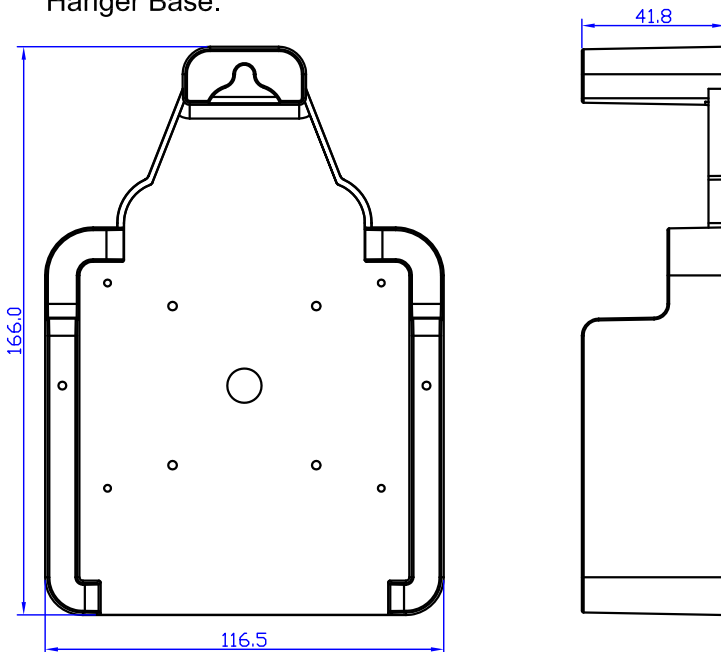
DIMENSION: 92.3Wx161.4Hx33.5D

NO.	Description
1288DSF1	Max. Pendulum Swing : 33°
	Max. Pendulum Weight : 18g
	Max. Pendulum Length : 26cm
1288DSF2	Max. Pendulum Swing : 33°
	Max. Pendulum Weight : 25g
	Max. Pendulum Length : 26cm

SPECIFICATIONS

Operating Voltage : 1.3V ~ 1.7V
 Current Consumption : Less Than 550 μ A At 1.5V DC. (1288DSF1)
 Less Than 2.0mA At 1.5V DC. (1288DSF2)
 Swing Frequency : 25~30 Cycles/Minute
 Battery Life : About 12 monthes (1288DSF1)
 About 6 monthes (1288DSF2)
 Operating Temperature Range : -10°C ~ +60°C

Hanger Base:



I-type Balance Weight:



U-type Balance Weight:

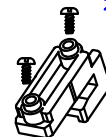
SCREW: ϕ 2.3*7PA



DS-U10.3

Plastic Rod Hook:

SCREW: ϕ 1.7*5PB
2PCS



DS-P